

K5 (Tuya WiFi)

保险柜使用说明书

感谢您选用青松沃德智能保险柜
使用前请仔细阅读本说明书

V1.0

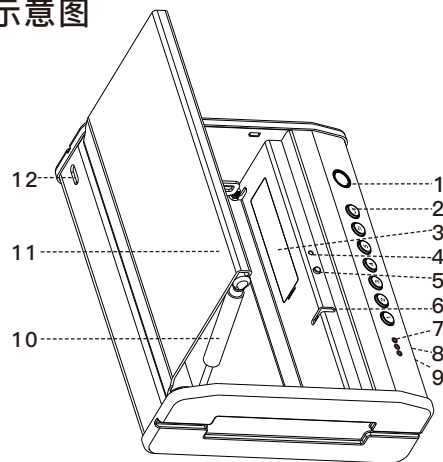
产品介绍

产品颜色	黑色
产品尺寸	242.4*276*91.6mm
指纹头	半导体传感器 (500dpi), 带炫彩指示灯
开箱颜色	指纹、密码、机械钥匙、APP
储存容量	指纹50枚, 密码50个
供电电压	6V
低电警告电压	4.8V
待机电流	<90uA
产品重量	7.5kg

产品特点

1. 系统提供总容量100个, 添加的前2个用户为管理员 (第一个是密码)。
2. 指纹/密码(支持6-8位)/机械钥匙/APP都可开锁。
3. 低电压警告。
4. 防撬警告。
6. 音量可调节。
7. ‘⊖’键: 返回、退出键, 待机状态连续按2次息屏;
8. ‘⊕’键: 确认键。

示意图

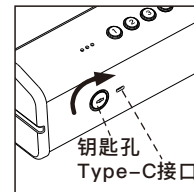


1. 指纹采集器
2. 按键
3. 电池盖
4. 复位键
5. 防撬按钮
6. 开关闸口
7. 喇叭孔
8. 应急供电 Type-C接口
9. 钥匙孔
10. 开合气弹簧
11. 柜门
12. 钢丝绳入口

使用说明

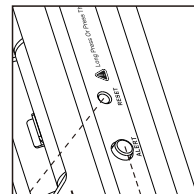
1. 首次开启保险箱

- a. 插入钥匙, 顺时针转动90度, 开启保险柜。
(注: 钥匙不能放入保险柜内。)
- b. 用移动电源通过USB线插入Type-C接口, 按压指纹或输入数字12345⊕开启保险柜。



2. 装入电池

- a. 打开电池盖, 装好4节5号电池。
- b. 待指纹灯和按键灯点亮, 就可以使用了。



复位键 防撬键

3. 恢复出厂

- a. 长按‘复位键’3秒以上。
(注: 如设置了管理员, 需验证管理员)
- b. 系统自动恢复到出厂设置状态 (初始密码: 12345⊕)。
- c. 语音播报‘初始化成功’, 删除所有管理员和用户。

4. 初始测试

- a. 合上柜门。
- b. 按压任意指纹或输入数字12345⊕, 开启保险柜。

5. 添加管理员 (前2个为管理员, 第1个是密码)

- 5.1. 长按‘⊕’键, 语音播报‘请录入6-8位管理员密码, 按‘⊕’键结束’, 按压数字密码(6-8位)+‘⊕’键(相同密码输入2次), 直到语音播报‘添加成功, 请添加管理员’。
- 5.2. 放添加的手指(同一手指按6次)或密码+‘⊕’键(相同密码输入2次)。
 - a. 添加指纹: 手指按压指纹采集器(同一手指按6次)(推荐大拇指)。
 - b. 添加密码: 按压数字密码(6-8位)+‘⊕’键(相同密码输入2次)。
- 5.3. 语音播报‘管理员已满’, 自动退出设置。

注: 为提高指纹识别率, 需按压同一手指的不同部位, 共6次, 直到整个指纹外圈都采集完, 如操作不当, 可能会增加录入次数。
注: 密码只能在数字1~5之间组合。



6. 添加用户

- 6.1. 长按‘☑’键，语音播报‘请验证管理员’。
- 6.2. 验证已添加的管理员，语音播报‘请添加用户’。
- 6.3. 放添加的手指(同一手指按6次)或密码+‘☑’键(相同密码输入2次)。
 - a. 添加指纹：手指按压指纹采集器(同一手指按6次)(推荐大拇指)。
 - b. 添加密码：按压数字密码(6~8位)+‘☑’键(相同密码输入2次)。
- 6.4. 语音播报‘添加成功’。

7. 删除用户

- 7.1. 长按‘☑’键，语音播报‘请验证管理员’。
- 7.2. 验证已添加的管理员，语音播报‘请添加用户’。
- 7.3. 再次长按‘☑’号键。
- 7.4. 语音播报：按“1”删除全部用户指纹，按“2”删除全部用户密码，按“3”删除全部用户。
- 7.5. 选择“1”、“2”或“3”键进行删除对应用户。
- 7.6. 语音播报‘操作成功’。

注：此操作不能删除管理员，管理员需通过恢复出厂设置删除。

8. 密码修改：

- 8.1 长按“5”，输入需要修改的原密码，语音提示‘请输入新密码’。
- 8.2 输入新密码+“☑”（相同密码输入2次），直到添加成功。
(注：管理员不能修改；添加成功后，旧密码不能使用)

9. APP配网

- 9.1. 手机连上WiFi，且网络正常。
 - 9.2. 在APP Store或应用商店搜索‘涂鸦智能’或微信扫描尾页二维码，下载并安装。
 - 9.3. 打开APP，用手机号注册并登录，进入APP。
 - 9.4. 配网：
 - a. APP：点击‘我的家’/‘添加设备’/‘安防监控’/‘保险箱(WiFi)’，选择2.4Ghz Wi-Fi网络并输入密码，点击‘下一步’/‘确认’指示灯快闪。
 - b. 门锁：长按“3”，验证管理员，待智能锁LED面板上指示灯闪烁。
 - c. APP：进入配网状态，直到成功。
 - d. 添加成功，语音播报‘操作成功’，添加失败，请重试。
- 注：1. APP和手机需连接同一WiFi网络(仅支持2.4Ghz WiFi)。
2. APP远程开锁：需先按门锁上长按“4”进行激活，待APP上出现‘点击远程开锁’提示，点击后才能开锁。

10. 其他功能

10.1 防错自锁

密码连续输错5次，系统锁定180秒，发出警告提示声音，并上报到APP进行提醒。

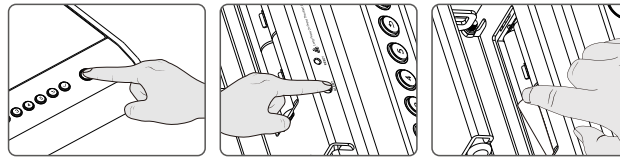
解除防错自锁：已注册的指纹用户(包括管理员)开锁一次。

10.2 防撬警告

当钥匙开锁或柜门受到外力破坏，如导致防撬按钮松动，系统锁定180秒，发出警告提示声音，并上报到APP进行提醒。

解除防撬警告：(防撬报警后，在键盘灯亮的情况下操作)

- a、已注册的指纹用户(包括管理员)开始一次。
- b、防撬按钮连续按3次或长按3秒钟。
- c、取下电池重装。



10.3 低电压警告

电池低于4.8V时，每次开门都会提示‘电池没电了，请及时更换电池’，此时能使用50次左右，请及时更换新的电池。

10.4 虚位密码

在注册的密码前后输入任意密码(密码总数不超过10位)，都可开锁。

10.5 音量切换

长按“2”键进行切换静音、高音(默认)。

保修卡

1. 产品出厂包装均配有此说明书及保修卡，用户安装好后请填写好保修卡内容并妥善保管，以作保修凭证。
2. 本产品保修一年。
3. 以下不属于保修范围：
 - A.意外因素、人为行为或外力(包括暴力撬坏，输入不适合的电压等)造成损坏。
 - B.自然灾害等不可抗力(如地震，火灾，水灾等)原因造成的损坏。
 - C.自行安装或不符合安装说明书要求引起的损坏。
 - D.非我司指定安装人员引起的损坏。
4. 对于保修范围外，我们将收取相应费用。
5. 产品出现故障时，请致电售后询求帮助，保修时请填写具体地址.姓名.电话及故障现象。

商品信息	产品名称	
	产品型号	
	购买价格	
	购买日期	
用户信息	用户姓名	
	联系电话	
	通讯地址	
	邮政编码	

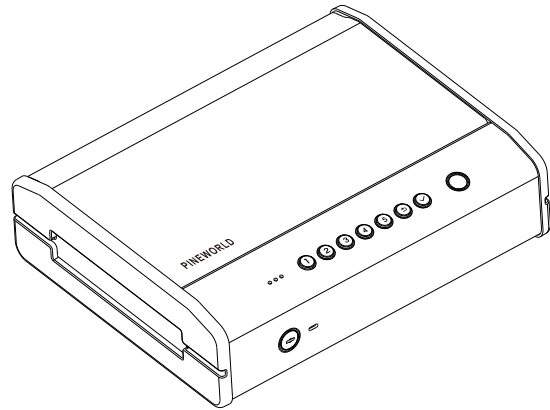
维修记录 (由维修机构填写)

维修日期	故障情况	维修记录	授权维修签章



江西指芯智能科技有限公司
江西省宜春市经济开发区宜商大道133号
www.pineworld.net
售后电话：400 900 5952

PINEWORLD



K5 (Tuya WiFi)

Biometric Personal Safe User Manual

Please read this manual carefully before use
Do not leave the key in the safe.

V1.0

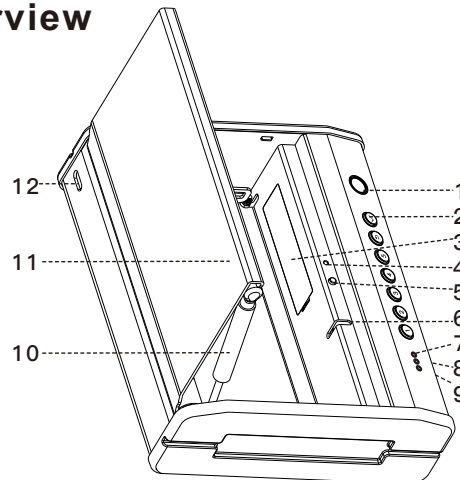
Introduction

Color	Black
Size	242.4*276.4*91.6mm
Fingerprint	Semiconductor(500dpi) with Colorful Light
Unlock Way	Fingerprint, Password, Key and APP
System Capacity	Fingerprint: 50, Password: 50
Supply Voltage	6V
Low Voltage Alarm	4.8V
Standby Current	<90uA
Weight	7.5kg

Features

- 1.The fingerprint capacity is 50,digital capacity is 50, the first two users are administrators. please input digital as the first administrator.
- 2.Support volume adjustmet(Mute/Regular)
- 3.Support 6-8 digital passwords and scramble PIN passwords. (No longer than 10digitals)
- 4.Support pickproof alarm and low power alarm.
5. '↩':Return or Quit. '✓':Confirm.

Overview



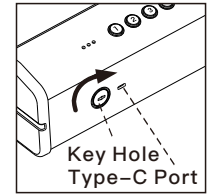
- | | |
|-------------------------|--------------------------------------|
| 1.Fingerprint Collector | 7.Loudspeaker |
| 2.Keypad | 8.Emergency Power Supply Type-C Port |
| 3.Battery Cover | 9.Keyhole |
| 4.'Reset' Button | 10.Switch Gas Spring |
| 5.Pickproof Button | 11.Safe Door |
| 6.Switch Gate | 12.Wire Rope Entrance |

First Use

1. Open the Safe

- a. Insert the key into the keyhole, and turn 90 degrees clockwise to open the safe.

- b. Plug in the USB cable with the mobile power through the Type-C port, and press the fingerprint or press '12345 ✓' to open the safe.



2. Install the Battery

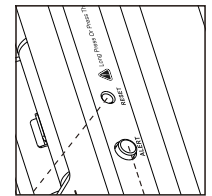
- a. Open the battery cover and install 4pcs of AA batteries.
- b. When the fingerprint light and key light are on, it is ready for use.

3. Reset the Safe

- a. Long Press 'Reset' button for more than 3 seconds.

Note: If the administrator is added, it needs to be verified the administrator.

- b. The system automatically restores to the factory default settings (initial password: 12345 ✓)
- c. Voice prompt 'initialization successful', delete all administrators and users.



4. Initial Test

- a. Close the safe door.
- b. Press any fingerprint or enter '12345 ✓' to open the safe.

Function Operation

1. Add Administrator

(The first two are administrators, and the first is password)

- a. Long press '✓' key, voice prompt 'please enter 6-8 administrator password, press '✓' key to end'.
- b. Enter new password(6-8 digits) ended with '✓' (The same password, 2 times), until the voice prompt 'Successfully', then we can continue to add the 2nd administrator.
- c. Add administrator's fingerprint(6 times), or password (6-8 digits) ended with '✓' (The same password, 2 times).
- d. The voice prompt 'The administrator is full, quit setting'.

Notes: Make sure to press different parts of the same finger until the whole fingerprint is collected completely, the lock key '1-5' will be light on when add successfully.



2. Add User

- a. Long press '✓', the voice prompt 'Please verify administrator'.
- b. Verify the administrator, and the voice prompt 'Successful, please add user'.
- c. Add user's fingerprint(6 times), or password (6-8 digits) ended with '✓' (The same password, 2 times).
- d. The voice prompt 'Successful'.

3. Delete User

1. Long press '✓', the voice prompt 'Please verify administrator'.
2. Verify the administrator, and the voice prompt 'Successful, please add user'.
3. Long press '✓' again.
4. Press '1' to delete all user fingerprints, press '2' to delete all user passwords, press '3' to delete all users.
5. The voice prompts 'Successful'.

Note:The administrator can not be removed by doing this or by APP.
Only resetting the lock can delete the administrator.

4. Modify Password

1. Long press '5', the voice prompt 'Please input old password'.
2. Enter the old password which needs to be modified, the voice prompt 'New password'.
3. Enter new password(6-8 digits) ended with '✓'
(The same password, 2 times), the voice prompt 'Successful'.

Note: The previous password is invalid after modification.
The administrator password cannot be modified.

5. Reset Lock

1. Long press 'Reset' button with 3 seconds, the button light flashes.
2. Verify the administrator, and the system restores to the factory default settings. (The initial password is '12345 ✓')
3. After reset, all the information will be removed (including the administrator),
4. Please add a new administrator immediately.

APP Installation and Network Configuration

1. Search 'TuyaSmart' in APP store, download APP.
2. Install and open APP, register and login with the mobile phone number.
3. APP: Press 'Home'/'Add Device'/'Security&Sensor'/'Safe(Wi-Fi)'
'Confirm indicator rapidly blink', then select WiFi network, enter WiFi password.
4. Long press '3' on the lock, Verify the administrator.
5. Network configuration: While the LED fast flash, please add network in APP.
6. Refer to the operation prompt to complete the network configuration of APP.
7. Add successfully: The voice prompts 'add successfully'.
8. Add failure: The voice prompts 'add failure', please try again.

Notes:

1. This APP supports only 2.4Ghz WiFi network.
2. The WiFi connected to the APP and mobile phone should be stay in same.
3. APP Remote Unlock:
 - a. Safe: Long press '4' to activate the safe.
 - b. APP: When prompting 'Remote Unlock Request', slide icon to 'Agree'.
4. Users: You can add the fingerprint/password according to the prompt.

Other Function

1. Low Power Alarm:

When the battery power is lower than 4.8V, the lock will prompt 'The battery is used up, please replace it', please replace with 4 new AA batteries in time.

2. Self-lock of The Password

It will be locked 180 seconds when entering wrong password 5 times continuously. The lock prompts "system locked", APP will send notification.

Release Self-lock: Unlock it once with the registered fingerprint .

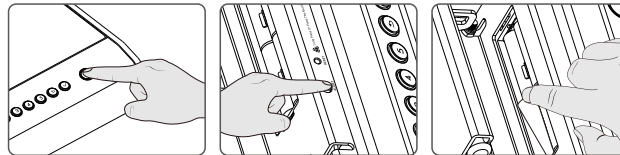
3. Pickproof Alarm

When Safe door is unlocked with the key or damaged by external force, the pickproof button is loose, the safe will alert alarm, APP issues warning alarm.

Remove The Pickproof Alarm:

Uniock with akey will trigger an alarm, 3 ways to clear the alarm (Operate it with keypad lights on)

- a. Use Fingerprint(include the administrator)to unlock it once.
- b. Push the pickproof button for 3 times or long press it for 3 seconds.
- c. Remove the battery.



4. Scramble PIN Password:

Random password added before or after the correct password, it also can unlock as long as the real password keep continuously correct. (Virtual password can not exceed 10 digits)

5. Volume Adjustment

Long press '2' to switch(Mute or Regular).



APP Download QR Code

FCC Statement:

FCC ID:

This device complies with Part 15 of the FCC Rules. Operation is subject to the following two conditions:

- (1) This device may not cause harmful interference.
- (2) This device must accept any interference received, including interference that may cause undesired operation.

Warning: Changes or modifications not expressly approved by the party responsible for compliance could void the user's authority to operate the equipment.

Note: This equipment has been tested and found to comply with the limits for a Class B digital device, pursuant to Part 15 of the FCC Rules. These limits are designed to provide reasonable protection against harmful interference in a residential installation. This equipment generates uses and can radiate radio frequency energy and, if not installed and used in accordance with the instructions, may cause harmful interference to radio communications. However, there is no guarantee that interference will not occur in a particular installation. If this equipment does cause harmful interference to radio or television reception, which can be determined by turning the equipment off and on, the user is encouraged to try to correct the interference by one or more of the following measures:

Reorient or relocate the receiving antenna.

Increase the separation between the equipment and receiver.

Connect the equipment into an outlet on a circuit different from that to which the receiver is connected.

Consult the dealer or an experienced radio/TV technician for help.

FCC Radiation Exposure Statement:

This equipment complies with FCC radiation exposure limits set forth for an uncontrolled environment. This equipment should be installed and operated with minimum distance 20cm between the radiator & your body.

Warranty Card

1. Please fill out the warranty card and keep it well.
2. The warranty period of this product is 12 months.
3. The following belongs to the scope of non warranty:
 - a. The warranty has expired.
 - b. Damage occurred during or in relation to non-routine and/or unauthorized disassembly.
 - c. Failure to provide a valid proof of purchase when requesting service or repair.
 - d. Damage occurred as a result of natural disaster. (including earthquake, fire, flood etc.)
 - e. Damage occurred due to unexpected factors or man-made reasons. (including mis-operation, improper insert or pulling, hauling, bumping, improper voltage input and others)
4. We will charge for the repairing if it is out of warranty.
5. When the product breaks down, ask your local dealer for repair and write out specific information below.

Shenzhen Zhixin IoT Technology Co., Ltd.

Room 406-407, Science&Research Building, Tinghua Information Port, Nanshan District, Shenzhen, China
Website: <https://service.pineworld.net>
Email: xiaoyi@fingercrystal.com
Hotline: (+86)18503000629